



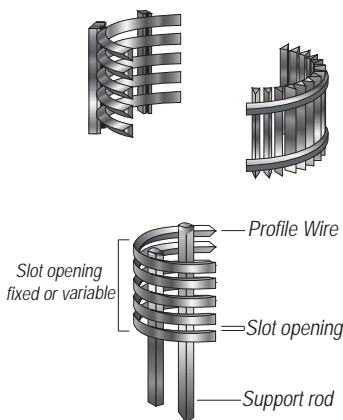
AMACS Hub laterals are designed for disc head vessels enabling the system to collect completely to the bottom of the vessel. Header laterals designs are available for flat bottom collector applications. Distributor systems can be designed to accommodate side or center inlet piping.

Integral backwash systems can be designed for any hub and header lateral for fast effective and efficient cleaning. Connections of the laterals can be flanged or threaded. All systems are designed for effective liquid or solid retention in a wide range of applications including exchangers, clay and sand filtration applications, carbon towers and power plants with water systems.

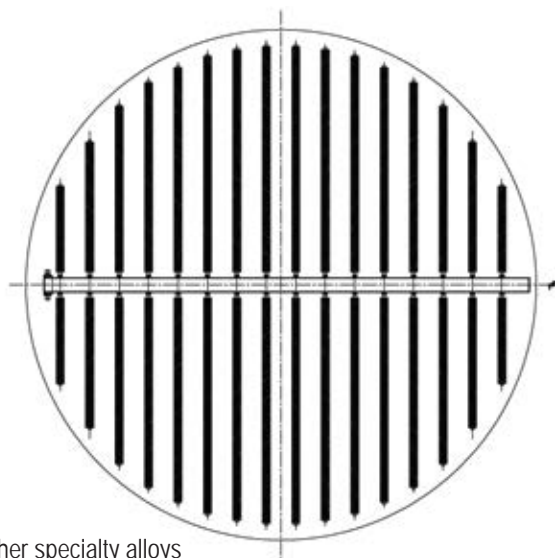
Our experienced engineering group designs each system to provide even distribution or collection, and to avoid flow / pressure concentrations.

## Applications:

- Ion Exchange
- Clay and Sand filtration applications
- Activated Carbon Towers
- Chemical Catalytic exchangers
- Industrial Softeners and Demineralizes



Slot sizes .002 to 1"  
Tolerance from +.002/ - .001 to .005  
304ss, 316ss, hastelloy, inconel and other specialty alloys



## Key Characteristics and Benefits:

- Provides uniform, effective distribution and collection
- High open area, non clogging surface
- Available in a variety of designs to accommodate side, center, top or bottom inlet piping.
- Integral backwash systems available for fast effective and efficient cleaning.



For more information please call:  
1-800-231-0077  
[www.amacs.com](http://www.amacs.com)

