

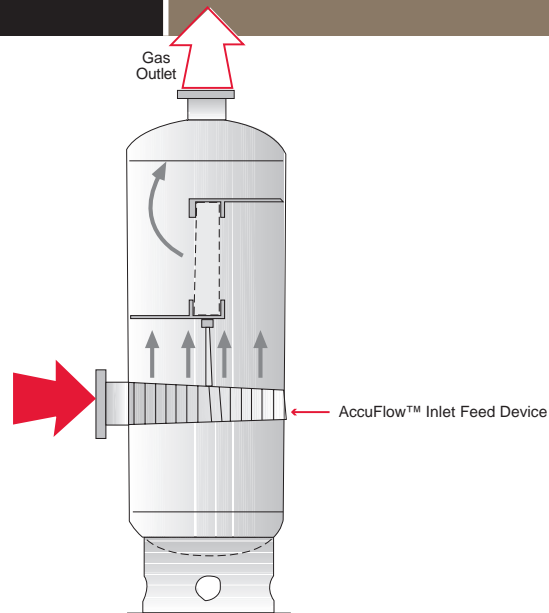
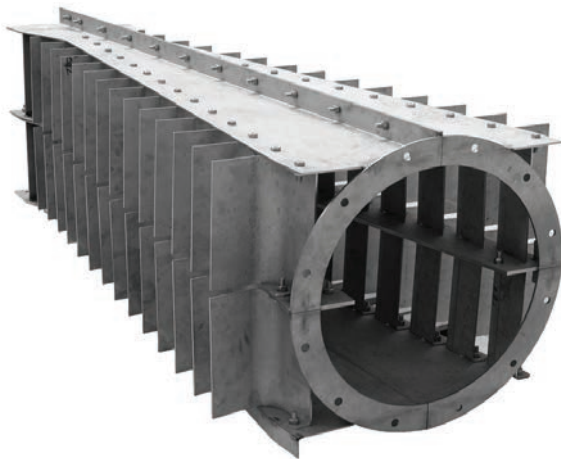
AMACS AccuFlow™ Inlet Diffusers will correct flow imbalances and improve the operation of separators and distillation towers. Higher gas flows into existing separators create poor gas distribution. Localized high velocities can also cause the gas to jet into the liquid surface. This in turn creates additional liquid entrainment and may flood the mist elimination device, resulting in liquid carry over.

A properly designed inlet diffuser removes liquids and solids and evenly distributes the gas flow over the downstream separator.

In a similar manner, an inlet diffuser will improve operation of a distillation tower. Applications with flashing feeds or reboiler returns will see significant improvements. Diffusers give improved phase distribution with negligible pressure drop.

## Benefits:

- Eliminates high liquid loads on vessel internals
- Dissipates high inlet gas velocities
- Prevents reentrainment of liquid droplets from the liquid level in the vessel
- Maximizes gas distribution and avoids channeling
- Made in sections to go through a manway
- Can be designed for vertical or horizontal separators



For more information please call:  
 1-800-231-0077  
[www.amacs.com](http://www.amacs.com)

