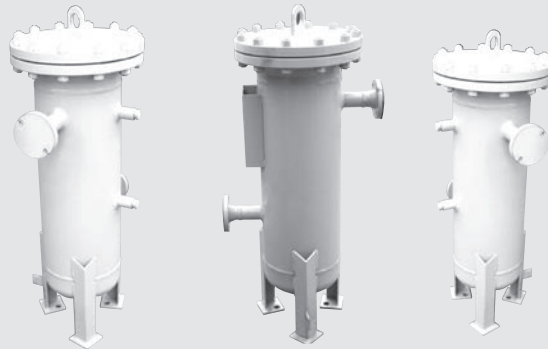
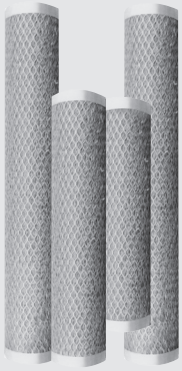


Re-usable Metal Filters (RMF)

Mist Eliminators



Knitted mesh Filters have a great advantage over conventional cartridge filters e.g. pleated, paper, polymer and others. The knitted wire filters can be cleaned and reused. This reduces the disposal cost to a fraction of current levels. These filters are also heat, shock and corrosion resistant.

Applications

- Oil Filtration
- Fuel Filtration
- Filters
- Solvent Filtration
- Chemical Filtration
- Metal Cutting Fluids
- Oily Wastewater Filtration

Benefits:

- Increases machine tool life
- Cleans your recycled oil and other industrial fluids
- Removes metal contaminants from coolants
- Reduces expenditures on new fluids
- Less down time of your system
- Cleaner fluids mean less erosion of your equipment

Typical Micron Rating for all Metal Units¹

Filter Density Rating	.006 In Dia Wire	.011 In Dia Wire
1	10	15
2	20	30
3	30	40

Typical Dirt-Holding Capacities for all Metal Units²

Filter Density Rating	.006 In Dial Wire	.011 In Dial Wire
1	10 lbs.	8 lbs.
2	7 lbs.	3 lbs.
3	4 lbs.	2 lbs.

NOTE

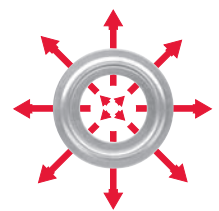
¹ Refer to particle size for 99.9% removal

² Based on 9" O.D. 36" L. filters standard

Pressure Drop Characteristics



NOTE: Based on 20 gpm/per F²



To clean, simply backwash



For more information please call:

1-800-231-0077

www.amacs.com

